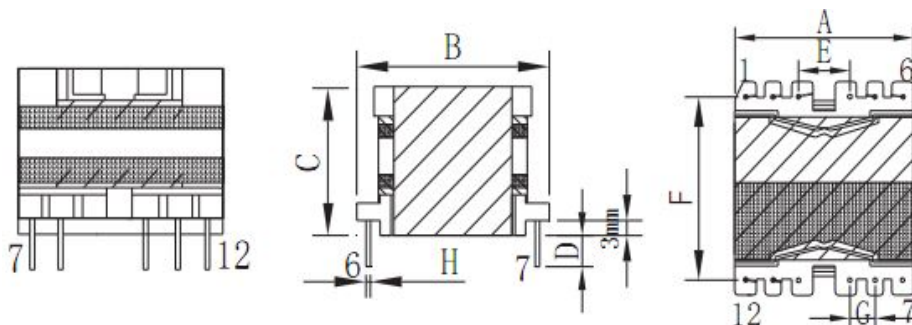


CUSTOMER TERMINAL	ROHS	Lead(Pb)-free
	YES	YES

1.Mechanical Dimensions



A	29.5	MAX
B	30.5	MAX
C	23.5	MAX
D	3.5	±0.5
E	7.6	±0.3
F	25.4	±0.4
G	3.8	±0.3
H	0.60	±0.1

3.Material List

Core:FW95 PQ2620

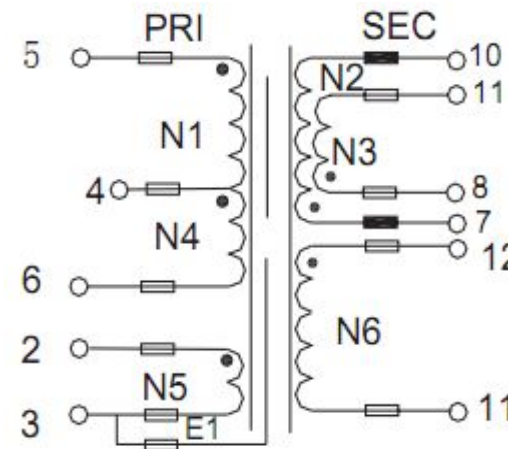
Bobbin:FWB2601(6+6PIN)

Wire:2UEW TIW

Copper foil: 0.025t*8.0mm

Operating Temperature: -30 to115 °C

2.Schematic Diagram



4.Electrical Specification

Inductance: L(5-6):400uH±5% 60KHZ 、 1V

Leakage Inductance : 7.2uH MAX 60KHZ 、 1V

DCR:(5-6)=0.336ΩMAX (8-11)=35.16mΩMAX

Hi-Pot:P-S: AC 60Hz 4000V 2.0mA 3S

P-CORE: AC 60Hz 500V 2.0mA 3S

REV.	DATE	<p>Convention Placement</p>	DRW.		Drawing Title:	Part No:
0	00/00		CHK.			
ROHS			www.ferriwo.com	APP.		Customer P/N